

STRONGLY CONSTRUCTED HISHITANK™ Panel Type Water Tank



Overview of HISHITANK

PROJECTS / ACHIEVEMENTS

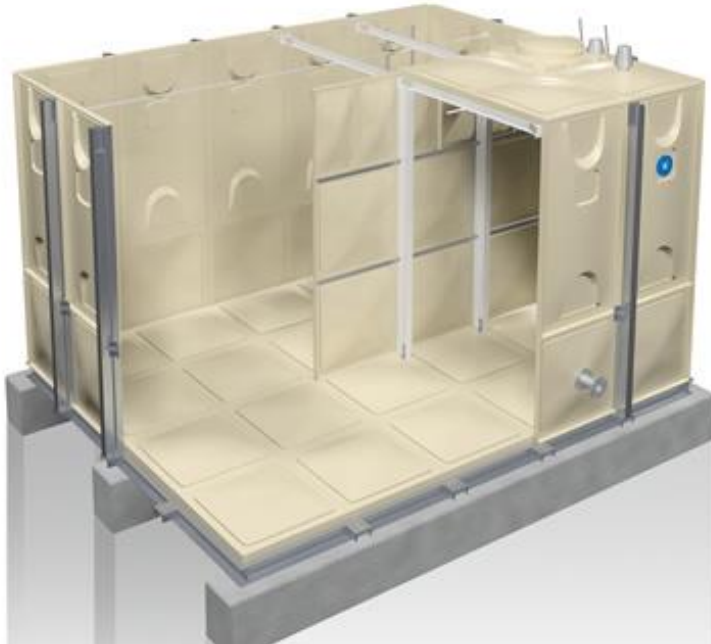
COMPARISON WITH OTHERS

MANUFACTURING PROCESS

Overview of HISHITANK

GRP panel water tank

HISHITANK™



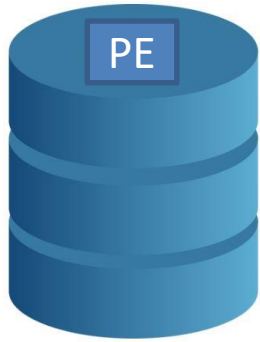
 MITSUBISHI CHEMICAL INFRATEC

- ✓ BEST GRP (Glassfiber Reinforced Plastic) panel water tank, made in Japan
- ✓ Used in over 30 countries for over 35 years
- ✓ Recommend for drinking / cooling water.
- ✓ Easy maintenance, No need to be coated.

Water Tank Transition



PE



Concrete



Steel



GRP Panel



Affordable price



Design flexibility



Less time to install



Hard to get cracked



Less time to install



Constant temperature



Design flexibility



No need coating



Fixed-size only



Require internal coating frequently



Metal corrosion



Maximum height is 4mH



Deterioration over time



Take long time to install / place



Water temperature easy to rise

Reference: HISHITANK Properties No.1

Design Conditions

The design conditions of HISHITANK™ G Panel Type are as follows:

Hydrostatic pressure	Water level (m) × 0.01 Mpa {0.1 kgf/cm ² }
Design water level	Tank height (nominal height) × 0.9
Snow accumulation	0.6 × 10 ⁻³ Mpa {60 kgf/m ² }
Wind pressure	1160 N/m ²
Roof load	Short term central load per panel: 80 kg
Inlet water temperature	Ordinary temperature
Water quality	pH: 5.8 to 8.6
Illumination factor	0.1% or less
Weatherability	Since the roof is exposed to ultraviolet light when installed outdoors, better weatherability is provided by inserting non-woven fabric into the roof panel.

Reference: HISHITANK Properties No.2

Physical Properties

The physical properties of the FRP panels of HISHITANK™ G Panel Type tanks are as follows:

Item	Test value	Testing standard
Tensile strength	113MPa	JIS K 6911
Tensile elastic modulus	13.9GPa	JIS K 7161
Bending strength	180Mpa	JIS K 6911
Bending elastic modulus	14.5GPa	JIS K 6911
Barcol hardness	52	JIS K 7060
Glass fiber content	37.7%	JIS K 7052
Specific gravity	1.87	JIS K 6911
Water absorption rate	0.078%	JIS K 7209
Compressive strength	340MPa	JIS K 6911
Interlaminar shearing stress	20.2MPa	JIS K 7057
Transverse shear strength	85.0MPa	JIS K 7058
Poisson ratio	0.41	JIS K 7161

* The data are actual values of the samples and are not a guarantee level.

Overview of HISHITANK

PROJECTS / ACHIEVEMENTS

COMPARISON WITH OTHERS

MANUFACTURING PROCESS

HISHITANK is also used in many factories.

Confidential

Overview of HISHITANK

PROJECTS / ACHIEVEMENTS

COMPARISON WITH OTHERS

MANUFACTURING PROCESS

Only High-quality parts shipped

Confidential

Overview of HISHITANK

PROJECTS / ACHIEVEMENTS

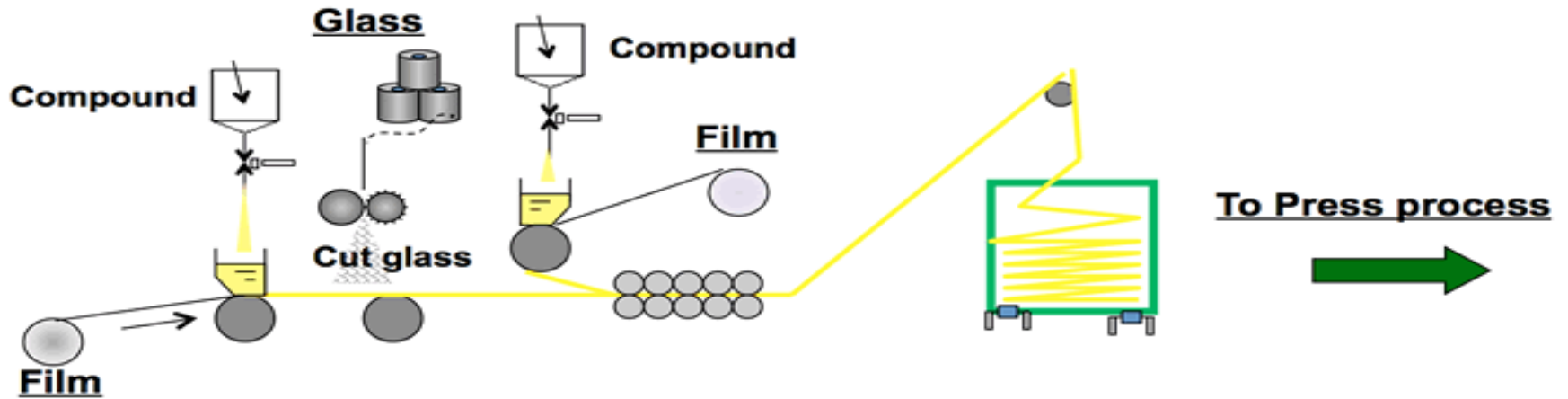
COMPARISON WITH OTHERS

MANUFACTURING PROCESS

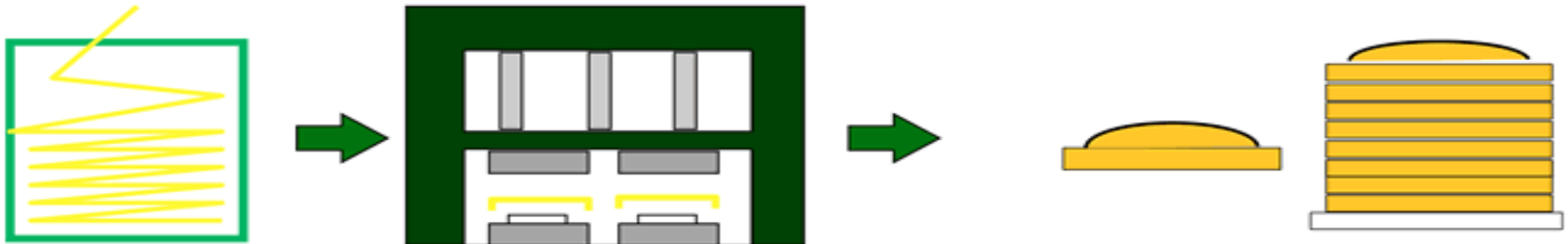
Manufacturing Process with quality control

HISHITANK is produced in the best way after **over 50 years of research**, and regular audits are conducted to supply high-quality products.

SMC manufacturing process

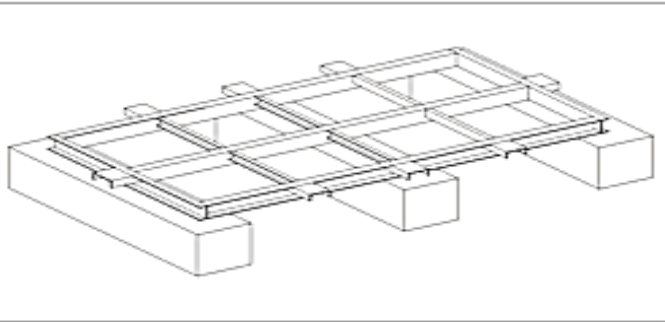


Hot press molding Process

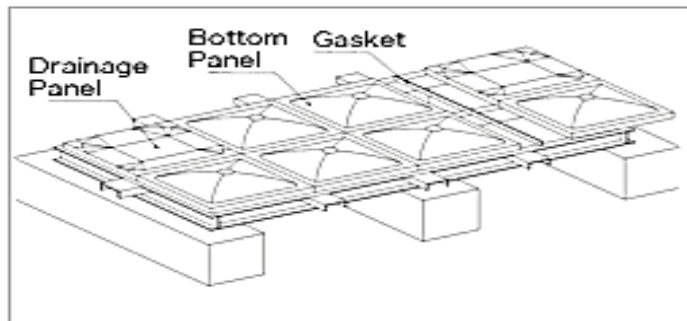


Installation of HISHITANK

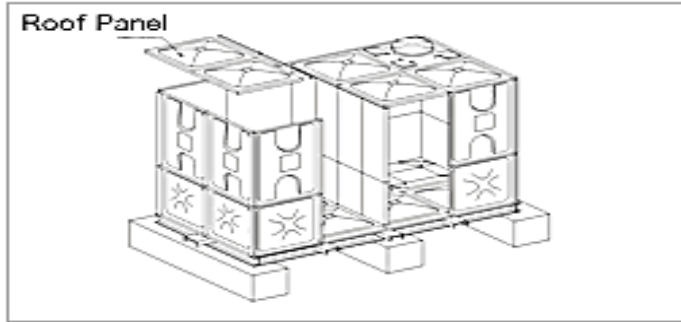
HISHITANK allows smooth assembly work, because it uses **a lighter and stronger GRP panel** than those made in other countries



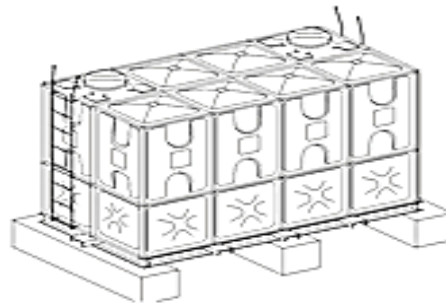
Install steel footings on leveled concrete foundation



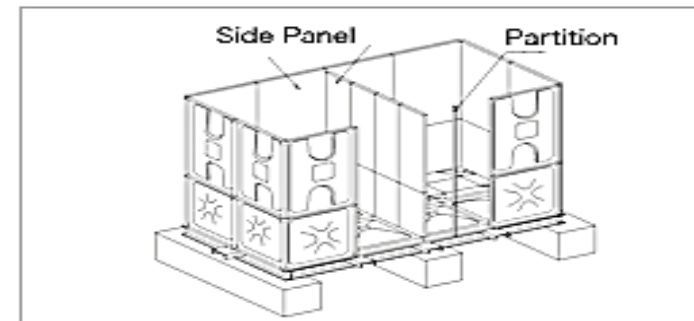
Assembling Bottom Panel on Steel Footing with bolts and nuts after placing gasket between panels.



Install roof panels and reinforcement inside.



Finish!



Connect each side panels and install all side panels on bottom panels with bolts and nuts except one space.

About Us



Company Mitsubishi Chemical Infratec Co., Ltd.

Address 1-2-2, Nihonbashi Hongoku-cho, Chuo-ku, Tokyo

Phone +81-3-3279-3455

E-mail MCJP-MBX-MCIT_HISHITANK@mchcgr.com

URL <http://www.mp-infratec.co.jp/setubi/eng/index.html>

Products GRP Panel Tank / Stainless Steel Panel Tank